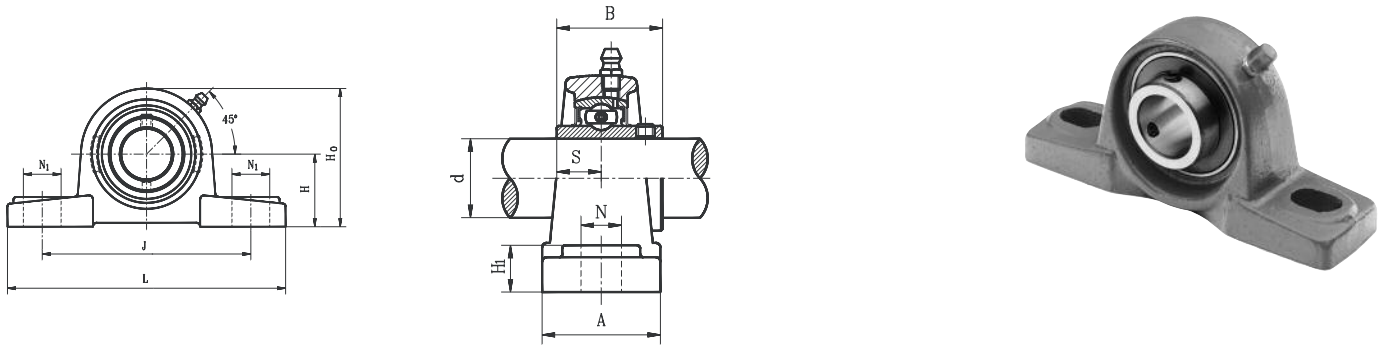


## UCPK STANDARD DUTY SET SCREW TYPE, LOW CENTER HEIGHT



- Cast iron housing - solid base.
- Wide inner ring bearing

Unit No.	Shaft Dia. d		Dimension (in) (mm)									Bolt Size (in)	Bearing No.	Housing No.	Weight (lb)	
	(in.)	(mm)	H	L	J	A	N	N <sub>1</sub>	H <sub>1</sub>	H <sub>0</sub>	S					B
UCPK201S 201-8S 202S 202-10S 203S 203-11S	1/2 5/8 11/16	12 15 17	1-1/16 27.0	4-3/4 121	3-5/8 92	1-3/8 35	7/16 11	9/16 14	1/2 13	2-1/8 54	7/16 11.5	1-3/32 27.4	3/8	UC201 201-8S 202S 202-10S 203S 203-11S	PK203	1.32
UCPK201 201-8 202 202-10 203 203-11 204-12 204	1/2 5/8 11/16 3/4	12 15 17 20	1-1/4 31.8	5-1/32 128	3-3/4 95	1-1/2 38	7/16 11	9/16 14	9/16 14	2-15/32 63	1/2 12.7	1-7/32 31.0	3/8	UC201 201-8 202 202-10 203 203-11 204-12 204	PK204	1.50
UCPK205-14 205-15 205 205-16	7/8 15/16 1	25	1-5/16 33.3	5-1/2 140	4-1/8 105	1-9/16 40	7/16 11	9/16 14	19/32 15	2-5/8 66.5	9/16 14.3	1-11/32 34.0	3/8	UC205-14 205-15 205 205-16	PK205	1.58
UCPK206-18 206 206-19 206-20	1-1/8 1-3/16 1-1/4	30	1-9/16 39.7	6-5/16 160	4-3/4 121	1-3/4 44	9/16 14	3/4 19	21/32 17	3-1/8 79	5/8 15.9	1-1/2 38.1	1/2	UC206-18 206 206-19 206-20	PK206	2.42
UCPK207-20 207-21 207-22 207 207-23	1-1/4 1-5/16 1-3/8 1-7/16	35	1-13/16 46.0	6-19/32 167	5 127	1-29/32 48	9/16 14	3/4 19	23/32 18	3-19/32 91	11/16 17.5	1-11/16 42.9	1/2	UC207-20 207-21 207-22 207 207-23	PK207	3.26
UCPK208-24 208-25 208	1-1/2 1-9/16	40	1-15/16 49.2	7-1/8 181	5-1/2 140	2-1/16 52	9/16 14	3/4 19	3/4 19	3-7/8 98	3/4 19.0	1-15/16 49.2	1/2	UC208-24 208-25 208	PK208	4.14
UCPK209-26 209-27 209-28 209	1-5/8 1-11/16 1-3/4	45	2-1/16 52.4	7-7/16 189	5-3/4 146	2-1/8 54	9/16 14	3/4 19	25/32 20	4-1/8 105	3/4 19.0	1-15/16 49.2	1/2	UC209-26 209-27 209-28 209	PK209	4.62
UCPK210-30 210-31 210	1-7/8 1-15/16	50	2-3/16 55.6	8 203	6-1/4 159	2-1/4 57	9/16 14	3/4 19	27/32 21	4-3/8 111.5	3/4 19.0	2-1/32 51.6	1/2	UC210-30 210-31 210	PK210	5.72
UCPK211-32 211-34 211 211-35	2 2-1/8 2-3/16	55	2-7/16 61.9	9-1/8 232	7-1/8 181	2-3/8 60	23/32 18	15/16 24	29/32 23	4-27/32 123	7/8 22.2	2-3/16 55.6	5/8	UC211-32 211-34 211 211-35	PK211	7.26
UCPK212-36 212 212-38 212-39	2-1/4 2-3/8 2-7/16	60	2-11/16 68.3	9-1/2 241	7-17/32 191	2-17/32 64	23/32 18	15/16 24	31/32 25	5-11/32 136	1 25.4	2-9/16 65.1	5/8	UC212-36 212 212-38 212-39	PK212	9.90
UCPK213-40 213	2-1/2	65	2-11/16 68.3	9-3/4 248	7-5/8 194	2-3/4 70	23/32 18	1-5/32 29	1-1/16 27	5-9/16 141	1 25.4	2-9/16 65.1	3/4	UC213-40 213	PK213	12.30

\* Dual seal standard. Triple lip seal (R3 suffix) optional.

