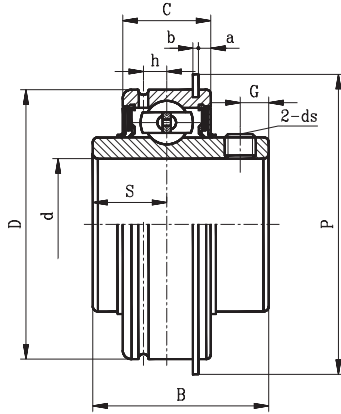


BALL BEARING INSERTS

SER STANDARD DUTY CYLINDRICAL O.D. SET SCREW TYPE WITH SNAP RING AND GROOVE



- Wide inner ring bearing
- Snap ring on set screw side
- Lubrication groove with hole on opposite side
- Dual seal

Bearing No.	Shaft Dia. d		Dimension (in) (mm)									Basic load ratings (lbs)		Weight (lb)	
	(in.)	(mm)	D	B	C	S	a	b	p	G	h	ds	Dynamic		Static
SER201		12													
201-8	1/2	15													
202-10	5/8	17	1.8504	1.2205	0.6260	0.4055	0.0937	0.0421	2.0748	0.1850	0.1732	1/4-28UNF M6X1	2880	1500	0.53
203	11/16	20	47	31.0	15.9	10.3	2.38	1.07	52.7	4.7	4.4				
203-11															
204-12	3/4	25													
204	7/8	30	2.0472	1.3740	0.7480	0.5157	0.0937	0.0421	2.2795	0.2165	0.1772	1/4-28UNF M6X1	3150	1800	0.59
SER205-14			52	34.9	19.0	13.1	2.38	1.07	57.9	5.5	4.5				
205-15	1-1/8	35													
205	1-3/16	40	2.4409	1.5000	0.8740	0.6260	0.1252	0.0650	2.6654	0.2165	0.2087	1/4-28UNF M6X1	4390	2500	0.86
205-16	1-1/4	45	62	38.1	22.2	15.9	3.18	1.65	67.7	5.5	5.3				
SER206-18															
206	1-1/4	50													
206-19	1-5/16	55	2.8346	1.6890	0.9370	0.6890	0.1252	0.0650	3.0945	0.2559	0.2283	5/16-24UNF M8X1	5780	3400	1.34
207	1-3/8	60	72	42.9	23.8	17.5	3.18	1.65		6.5	5.8				
207-20															
207-21	1-7/16	65													
207-22															
207-23															
SER208-24	1-1/2	70	3.1496	1.9370	1.0945	0.7480	0.1252	0.0650	3.4094	0.3150	0.2480	5/16-24UNF M8X1	6660	4100	1.78
208-25	1-9/16	75	80	49.2	27.8	19.0	3.18	1.65	86.6	8.0	6.3				
208															
SER209-26	1-5/8	80													
209-27	1-11/16	85	3.3465	1.9370	1.0945	0.7480	0.1252	0.0650	3.6063	0.3150	0.2953	5/16-24UNF M8X1	7170	4700	1.98
209-28	1-3/4	90	85	49.2	27.8	19.0	3.18	1.65	91.6	8.0	7.5				
209															
SER210-30	1-7/8	95													
210-31	1-15/16	100	3.5433	2.0315	1.1260	0.7480	0.1252	0.0949	3.7992	0.3543	0.2677	3/8-24UNF M10X1.25	7900	5200	2.12
210			90	51.6	28.6	19.0	3.18	2.41	96.5	9.0	6.8				
SER211-32	2	105													
211-34	2-1/8	110	3.9370	2.1890	1.1890	0.8740	0.1252	0.0949	4.1929	0.3543	0.2992	3/8-24UNF M10X1.25	9800	6600	3.10
211			100	55.6	30.2	22.2	3.18	2.41	106.5	9.0	7.6				
211-35	2-3/16	115													
SER212-36	2-1/4	120													
212															
212-38	2-3/8	125	4.3307	2.5630	1.2520	1.0000	0.1252	0.949	4.5906	0.4134	0.3307	3/8-24UNF M10X1.25	10700	7400	4.29
212-39	2-7/16	130	110	65.1	31.8	25.4	3.18	2.41	116.6	10.5	8.4				
SER214-40	2-1/2	135													
214-43	2-11/16	140	4.9213	2.9370	1.3780	1.1890	0.1559	0.1091	5.3031	0.4724	0.3543	7/16-20UNF M12X1.25	13700	10100	5.54
214			125	74.6	35.0	30.2	3.96	2.77	134.7	12.0	9.0				
SER215-46	2-7/8	145													
215-47	2-15/16	150	5.1181	3.0630	1.5000	1.3110	0.1559	0.1091	5.5000	0.4724	0.3740	7/16-20UNF M12X1.25	14900	11100	6.36
215			130	77.8	38.1	33.3	3.96	2.77	139.7	12.0	9.5				

* Also available in free spinning design and/or with black oxide finish. Contact factory.

