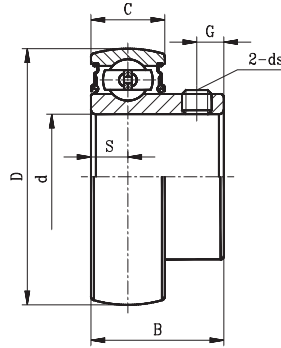
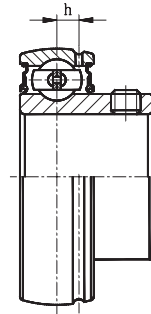


BALL BEARING INSERTS

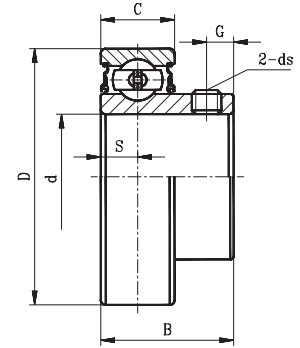
SB LIGHT DUTY SET SCREW LOCKING TYPE
SBG RELUBRICATABLE TYPE · CSB CYLINDRICAL O.D. TYPE



SB



SB
(WITH G SUFFIX)



CSB

- Narrow inner ring bearing
- Lubrication groove with hole on set screw side and additional oil hole on opposite side (G suffix).

Bearing No.	Shaft Dia. d		Dimension (in) (mm)							Basic load rating (lbs)		Weight (lb)		
	(in.)	(mm)	D	B	C	S	h	G	ds	Dynamic	Static			
SB201G	1/2	12	1.5748	0.8661	0.4724	0.2362	0.1417	0.1575	10#-32UNF M5X0.8	2150	1070	0.22		
201-8G														
202G		15												
202-10G														
203G	5/8	17	40	22	12	6	3.6	4						
203-11G														
204G	11/16		1.8504	0.9843	0.5512	0.2756	0.1575	0.1969	1/4-28UNF M6X1	2900	1500	0.31		
SB204-12G	3/4	20												
205G	7/8	25	2.0472	1.0630	0.2953	0.2953	0.1693	0.2165	1/4-28UNF M6X1	3150	1770	0.37		
205-15G														
205-16G													1	
206G	1-1/8	30	2.4409	1.1811	0.6299	0.3150	0.1969	0.2362	1/4-28UNF M6X1	4400	2500	0.57		
SB206-18G														
206-19G													1-3/16	62
207G	1-1/4	35	2.8346	1.2598	0.6693	0.3346	0.2244	0.2559	1/4-28UNF M6X1	5800	3400	0.86		
SB207-20G														
207-21G													1-5/16	72
207-22G													1-3/8	32
208G	1-1/2	40	3.1496	1.3386	0.7087	0.3543	0.2441	0.2756	5/16-24UNF M8X1	6660	4100	1.19		
SB208-24G														
208-25G													1-9/16	80
209G	1-5/8	45	3.3465	1.6220	0.7480	0.4016	0.2559	0.3228	5/16-24UNF M8X1	7160	4700	1.5		
SB209-26G														
209-27G													1-11/16	85
210G	1-3/4	50	3.5433	1.7126	0.7874	0.4291	0.2559	0.3622	5/16-24UNF M8X1	7900	5200	1.76		
SB210-30G														
210-31G													1-15/16	90
211G	2	55	3.9370	1.7835	0.9055	0.4646	0.2835	0.3858	5/16-24UNF M8X1	9800	6600	2.2		
SB211-32G														
211-34G													2-1/8	100
212G	2-3/16	60	4.3307	2.1142	0.9449	0.5866	0.3150	0.3858	3/8-24UNF M10X1.25	10770	7400	2.86		
SB212-36G														
212-39G	2-7/16	110												

* Full cover metal shroud seal standard. Full contact rubber seal (2RS suffix) optional. Also available in free spinning design and/or with black oxide finish. Non-relubricatable units also available (remove G suffix). Contact factory.

