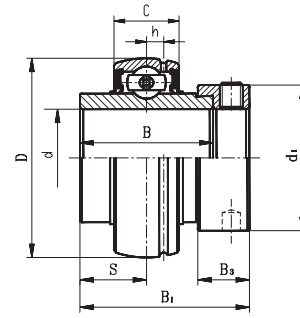


BALL BEARING INSERTS

HC STANDARD DUTY ECCENTRIC LOCKING COLLAR TYPE



- Wide inner ring bearing
- Lubrication groove with hole on set screw side
- Additional oil hole on opposite side
- Anti-rotation device

Bearing No.	Shaft Dia. d		Dimension (in) (mm)							Eccentric collar	Basic load rating (lb)		Weight (lb)	
	(in.)	(mm)	D	C	B	S	B ₁	B ₃	h		D ₁	Dynamic		Static
HC201S		12									A201S			0.51
201-8S	1/2	15									201-8S			0.51
202S			1.5748	0.5512	1.0945	0.5472	1.4685	0.5315	0.1378	1.1260	202S	2146	1074	0.49
202-10S	5/8	17	40	14	27.8	13.9	37.3	13.5	3.5	28.6	202-10S			0.46
203S											203S			0.44
203-11S	11/16										203-11S			0.42
HC201		12									A201			0.60
201-8	1/2	15									201-8			0.59
202											202	2877	1494	0.57
202-10	5/8	17	1.8540	0.6299	1.3386	0.6693	1.7126	0.5315	0.1732	1.3110	202-10			0.55
203			47	16	34.0	17.0	43.5	13.5	4.4	33.3	203			0.53
203-11	11/16										203-11			0.53
203-12	3/4	20									203-12			0.51
204											204			0.49
HC205-14	7/8										A205-14			0.62
205-15	15/16	25	2.0472	0.6693	1.3701	0.6850	1.7441	0.5315	0.1693	1.5000	205-15	3147	1771	0.60
205			52	17	34.8	17.4	44.3	13.5	4.3	38.1	205			0.55
205-16	1										205-16			0.53
HC206-18	1-1/8										A206-18			0.92
206		30	2.4409	0.7480	1.4331	0.7165	1.9016	0.6260	0.1969	1.7520	206	4383	2517	0.90
206-19	1-31/6		62	19	36.4	18.2	48.3	15.9	5.0	44.5	206-19			0.88
206-20	1-1/4										206-20			0.84
HC207-20	1-1/4										A207-20			1.46
207-21	1-5/16										207-21			1.43
207-22	1-3/8	35	2.8346	0.7874	1.4803	0.7402	2.0118	0.6890	0.2283	2.1890	207-22	5777	3416	1.34
207			72	20	37.6	18.8	51.1	17.5	5.8	55.6	207			1.32
207-23	1-7/16										207-23			1.28
HC208-24	1-1/2										A208-24			1.78
208-25	1-9/16	40	3.1496	0.8268	1.6850	0.8425	2.2165	0.7205	0.2480	2.3740	208-25	6654	4091	1.74
208			80	21	42.8	21.4	56.3	18.3	6.3	60.3	208			1.72
HC209-26	1-5/8										A209-26			2.06
209-27	1-11/16		3.3465	0.8661	1.6850	0.8425	2.2165	0.7205	0.2677	2.5000	209-27	7159	4675	2.01
209-28	1-3/4	45	85	22	42.8	21.4	56.3	18.3	6.8	63.5	209-28			1.92
209											209			1.87
HC210-30	1-7/8										A210-30			2.48
210-31	1-15/16	50	3.5433	0.9055	1.9370	0.9685	2.4685	0.7205	0.2559	2.7520	210-31	7890	5215	2.42
210			90	23	49.2	24.6	62.7	18.3	6.5	69.9	210			2.29
HC211-32	2										A211-32			3.31
211-34	2-1/8		3.9370	0.9843	2.1811	1.0906	2.8071	0.8150	0.2835	3.0000	211-34	9790	6564	3.17
211		55	100	25	55.4	27.7	71.3	20.7	7.2	76.2	211			3.06
211-35	2-3/16										211-35			2.97
HC212-36	2-1/4										A212-36			4.27
212		60	4.3307	1.0630	2.4331	1.2165	3.0591	0.8780	0.3228	3.3150	212	10745	7373	4.11
212-38	2-3/8		110	27	61.8	30.9	77.7	22.3	8.2	84.2	212-38			4.07
212-39	2-7/16										212-39			3.87
HC213-40	2-1/2										A213-40			5.40
213		65	4.7244	1.1024	2.685	1.3425	3.3740	0.9252	0.3150	3.3858	213	12858	8992	5.30
			120	28	68.2	34.1	85.7	23.5	8.0	86.0				
HC214-44	2-3/4										A214-44			5.66
214		70	4.9213	1.1811	2.685	1.3425	3.3740	0.9252	0.3543	3.8110	214	13668	10116	5.65
			125	30	68.2	34.1	85.7	23.5	9.0	96.8				
HC215	3		5.1181	1.1811	2.937	1.4685	3.6260	0.9409	0.3543	4.0160	A215	14836	11127	6.13
215-48		75	130	30	74.6	37.3	92.1	23.9	9.0	102.0	215-48			6.03
HC216			5.5118	1.2992	2.937	1.4685	3.7480	1.0630	0.4055	4.3307	A216	16073	12184	6.86
		80	140	33	74.6	37.3	95.2	27.0	11.0	119.0				
HC217		85	5.9055	1.3780	2.0945	0.9213	2.8819	1.0630	0.4331	4.6850	A217	18703	14342	7.44
217-52	3-1/4		150	35	53.2	23.4	73.2	27.0	11.0	119.0	217-52			7.92
HC218-56	3-1/2										A218-56			9.79
218		90	6.2992	1.4567	2.1654	0.9646	2.8543	0.9449	0.4724	4.7244	218	21558	16073	10.03

* Dual seal standard. Triple lip seal (R3 suffix) optional. Also available in free spinning design and/or with black oxide finish. Contact factory.

