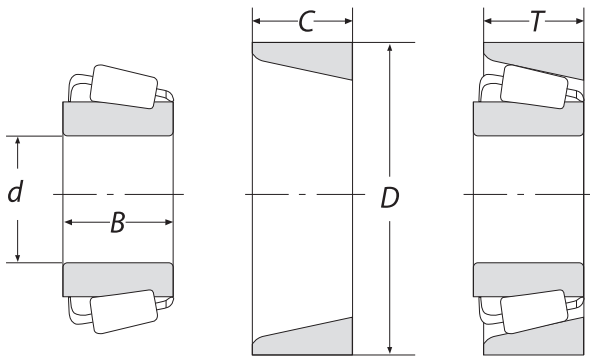


TAPERED ROLLER BEARINGS



Bore inch d	OD inch D	inch B	inch C	inch T	Bearing Number	Basic Load Rating Pounds		Weight (lb)
						Dynamic	Static	
.6875	1.57	0.57	.42	.54	LM11749/10	5400	5400	0.2
.7500	1.78	0.75	.47	.61	LM11949/10	6400	6400	0.3
.8440	1.97	0.72	.55	.69	M12649/10	8500	8800	0.3
.8700	1.78	0.65	.47	.61	LM12749/10	6700	7600	0.3
.8700	1.81	0.65	.47	.61	LM12749/11	6700	7600	0.3
1.000	1.98	0.58	.42	.56	L44643/10	6500	7600	0.3
1.063	1.98	0.58	.42	.56	L44649/10	6500	7600	0.3
1.140	1.98	0.58	.42	.56	L45449/10	6300	6800	0.2
1.187	2.53	0.84	.66	.84	M86649/10	11600	14500	0.7
1.250	2.33	0.66	.47	.62	LM67048/10	7700	9200	0.4
1.375	2.56	0.72	.55	.71	LM48548/10	10500	12600	0.6
1.380	2.33	0.66	.47	.62	L68149/10	8000	10700	0.4
1.380	2.36	0.66	.47	.62	L68149/11	8000	10700	0.4
1.500	2.48	0.67	.53	.67	JL69349/10	8700	11800	0.4
1.625	2.89	0.72	.55	.77	LM501349/10	12600	15600	0.7
1.750	3.26	1.00	.75	.94	25580/20	17100	22000	1.2
1.785	2.89	0.78	.62	.77	LM102949/10	12100	17100	0.7
2.000	3.67	1.19	.94	1.2	3780/3720	23000	30000	1.9

* Other sizes available. Contact factory.

