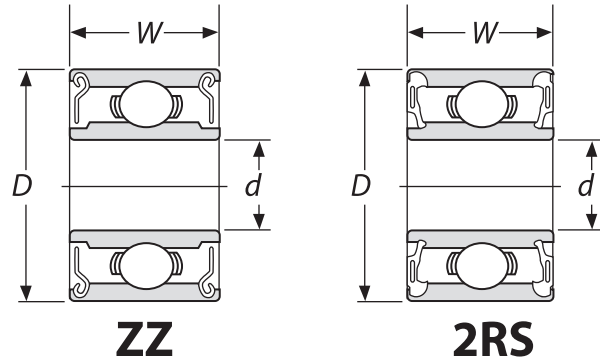


RADIAL BALL BEARINGS

61900 SERIES THIN SECTION - METRIC



Bore mm d	OD mm D	Width mm W	Bearing Number	Basic Load Rating		Speed Rating		Weight (lb) RPM
				Pounds Dynamic		Grease Static	Oil RPM	
10	22	6	61900	610	290	28000	38000	0.02
12	24	6	61901	650	330	27000	36000	0.02
15	28	7	61902	980	510	24000	30000	0.03
17	30	7	61903	1040	570	22000	28000	0.04
20	37	9	61904	1440	830	18000	22000	0.08
25	42	9	61905	1590	1020	15000	19000	0.09
30	47	9	61906	1630	1130	13000	17000	0.11
35	55	10	61907	2390	1630	11000	15000	0.17
40	62	12	61908	3080	2250	10000	13000	0.25
45	68	12	61909	3400	2530	9000	12000	0.28
50	72	12	61910	3500	2750	8000	11000	0.29
55	80	13	61911	3600	2980	7000	9600	0.40
60	85	13	61912	3700	3200	6500	8900	0.42
65	90	13	61913	4610	3480	6000	8200	0.45
70	100	16	61914	5350	4750	5700	7700	0.74
75	105	16	61915	5500	5100	5400	7200	0.78

