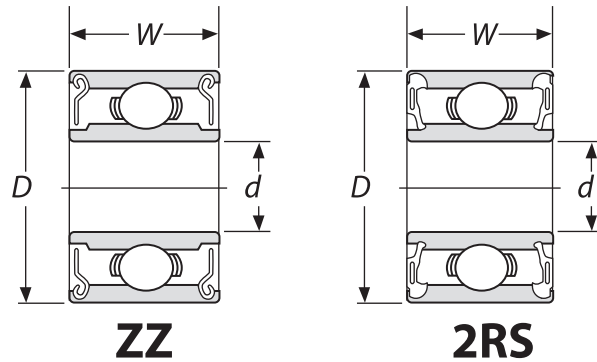


RADIAL BALL BEARINGS

6000 SERIES EXTRA LIGHT DUTY - METRIC



Bore mm d	OD mm D	Width mm W	Bearing Number	Basic Load Rating		Speed Rating		Weight (lb) RPM
				Pounds Dynamic		Grease Static	Oil RPM	
10	26	8	6000	1030	440	29000	34000	0.042
12	28	8	6001	1150	540	26000	30000	0.050
15	32	9	6002	1260	640	15000	28000	0.070
17	35	10	6003	1350	730	13000	26000	0.090
20	42	12	6004	2110	1140	18000	21000	0.150
25	47	12	6005	2260	1320	15000	18000	0.180
30	55	13	6006	2970	1860	13000	15000	0.260
35	62	14	6007	3600	2310	12000	14000	0.340
40	68	15	6008	3750	2590	10000	12000	0.420
45	75	16	6009	4720	3400	9000	11000	0.520
50	80	16	6010	4900	3700	8400	9800	0.570
55	90	18	6011	6350	4850	7700	9000	0.850
60	95	18	6012	6600	5200	7000	8300	0.915
65	100	18	6013	6850	5850	6500	7700	0.930
70	110	20	6014	8550	6950	6100	7100	1.330
75	115	20	6015	8890	7550	5700	6700	1.430
80	125	22	6016	10700	8950	5300	6200	1.880
85	130	22	6017	11100	9700	5000	5900	1.960
90	140	24	6018	13100	11200	4750	5600	2.560
95	145	24	6019	13600	12100	4300	5300	2.670
100	150	24	6020	14200	12200	4000	5000	2.760
105	160	26	6021	16300	14800	3700	4700	3.510

* Also available with snap ring (NR suffix)



www.abtbearing.com • 1-800-931-1860