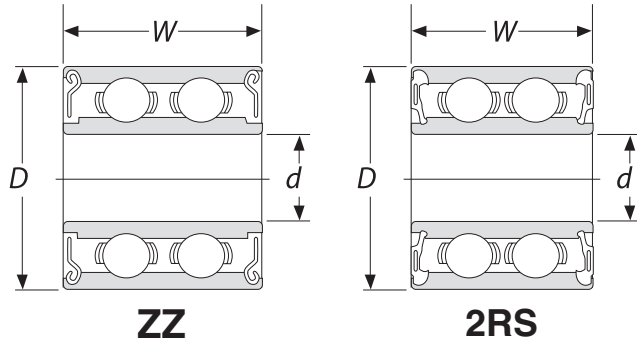


ANGULAR CONTACT BALL BEARINGS

DOUBLE ROW ANGULAR CONTACT - 5200 SERIES LIGHT DUTY METRIC

FEATURES HIGH SPEED POLYIMIDE CAGE



| Bore mm d | OD mm D | Width mm W | Bearing Number | Basic Load Rating | | Speed Rating | | Weight (lb) |
|-----------------|---------------|------------------|-------------------|-------------------|------------------|---------------|------------|----------------|
| | | | | Dynamic Pounds | Static Pounds | Grease RPM | Oil RPM | |
| 10 | 30 | 14.3 | 5200 | 1600 | 850 | 14000 | 19000 | 0.10 |
| 12 | 32 | 15.9 | 5201 | 2300 | 1300 | 13000 | 17000 | 0.11 |
| 15 | 35 | 15.9 | 5202 | 2600 | 1500 | 11000 | 15000 | 0.15 |
| 17 | 40 | 17.5 | 5203 | 3300 | 2000 | 9900 | 13000 | 0.20 |
| 20 | 47 | 20.6 | 5204 | 4400 | 2700 | 8800 | 12000 | 0.31 |
| 25 | 52 | 20.6 | 5205 | 4700 | 3200 | 7300 | 9800 | 0.45 |
| 30 | 62 | 23.8 | 5206 | 6400 | 4600 | 6300 | 8400 | 0.63 |
| 35 | 72 | 27.0 | 5207 | 8500 | 6200 | 5500 | 7400 | 0.96 |
| 40 | 80 | 30.2 | 5208 | 9600 | 7200 | 4900 | 6600 | 1.30 |
| 45 | 85 | 30.2 | 5209 | 10800 | 8300 | 4400 | 5900 | 1.37 |
| 50 | 90 | 30.2 | 5210 | 11500 | 9400 | 4000 | 5300 | 1.48 |
| 55 | 100 | 33.3 | 5211 | 14200 | 11900 | 3600 | 4900 | 2.17 |
| 60 | 110 | 36.5 | 5212 | 16100 | 13100 | 3400 | 4500 | 2.80 |
| 65 | 120 | 38.1 | 5213 | 18700 | 16300 | 3100 | 4200 | 3.46 |
| 70 | 125 | 39.7 | 5214 | 19900 | 17900 | 2900 | 3900 | 3.97 |
| 75 | 130 | 41.3 | 5215 | 20300 | 18100 | 2700 | 3600 | 4.20 |
| 80 | 140 | 44.4 | 5216 | 23800 | 21400 | 2500 | 3400 | 5.50 |
| 85 | 150 | 49.2 | 5217 | 25100 | 23900 | 2400 | 3200 | 6.75 |
| 90 | 160 | 52.4 | 5218 | 31500 | 29000 | 2200 | 3000 | 8.90 |
| 95 | 170 | 55.6 | 5219 | 35200 | 32100 | 2100 | 2800 | 10.70 |
| 100 | 180 | 60.3 | 5220 | 39600 | 36000 | 2000 | 2700 | 13.10 |

* Also available with snap ring (NR suffix)

